

## GS-19 Lid Stay

Top opening

Opening Direction

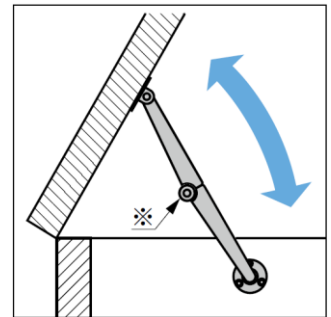


Top-opening

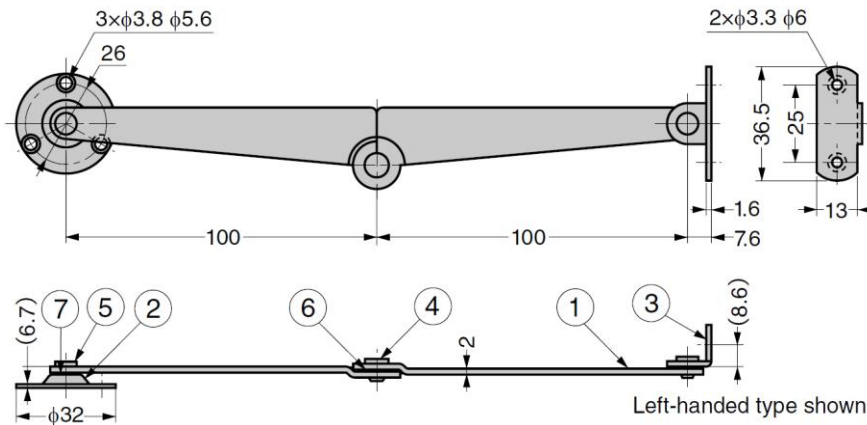


### Notes

- When closing the door, operate while pulling the centre rivet (※ in right figure) toward you
- When installing this stay to sheet metal, be sure to perform thread relief processing (chamfering) on the mounting surface side (cabinet side). In this way, screw head will not protrude when the stay is fixed



Right-handed Illustration



No.	Part Name	Material	Finish
①	Body	Steel (SPCC)	Chrome
②	Bracket		
③	Bracket	Brass	Tin Cobalt Plating
④	Centre Shaft		
⑤	Shaft	PA	Natural
⑥	Washer A		
⑦	Washer B		

Part No.	Type	Tension Force (per pierce)	
GS-19R	Right-handed	425 N	43.4 kg
GS-19L	Left-handed		